

STAINLESS STEEL GLOBE VALVE THREADED FEMALE BSP PN16

Stainless steel globe valve female bsp reduced bore for closing or setting network of common fluids of 2nd group.
PTFE packing and gasket.
Monoblock design for a better mechanical resistance.
Valve in accordance with the regulation (EC) N° 1935/2004 on request.
FDA PTFE gaskets.



FDA
CE 1935/2004



Size : DN1/2" to DN2"
Connection : Female BSP
Min Temperature : -20°C
Max Temperature : +180°C
Max Pressure : 16 Bars
Specifications : Rising rotating stem and handwheel
Monoblock
Reduced bore
PTFE packing

Materials : Stainless steel EN 1.4408

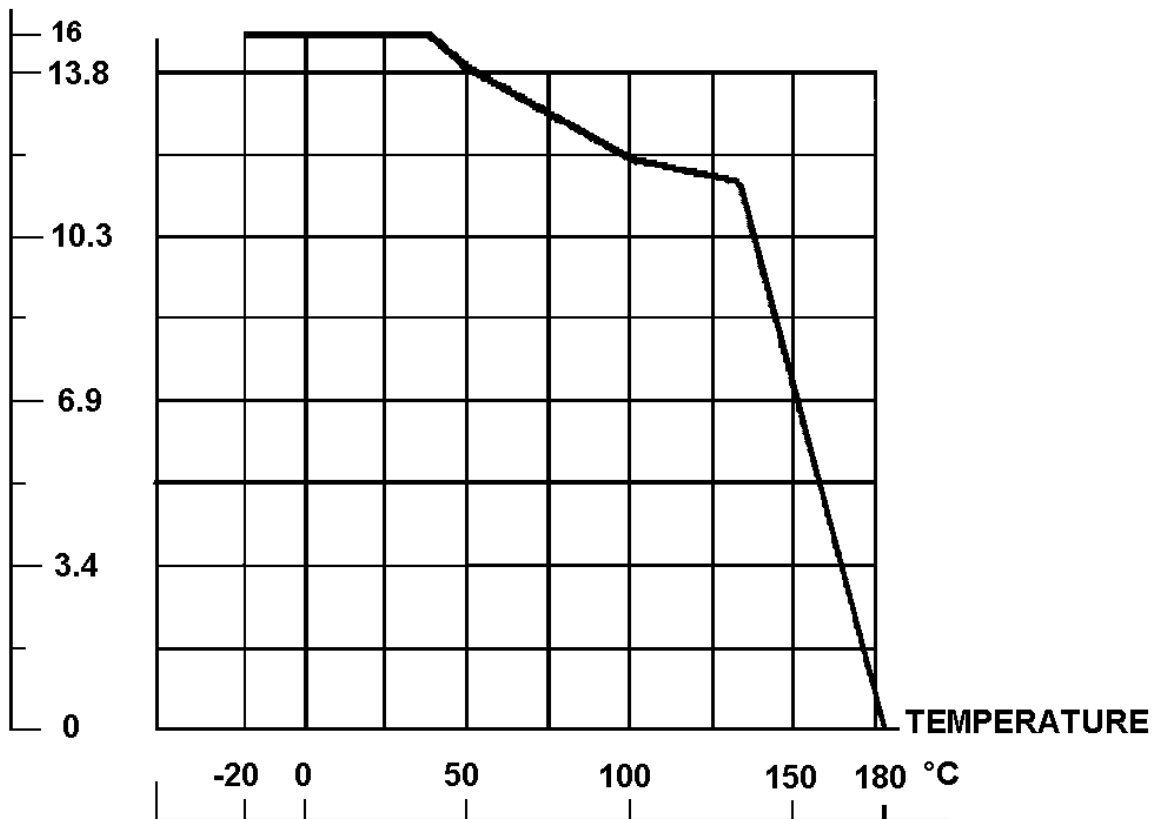
STAINLESS STEEL GLOBE VALVE THREADED FEMALE BSP PN16

SPECIFICATIONS :

- Respect the flow direction (indicated by the arrow)
- Rising rotating stem and handwheel
- PTFE packing
- Stainless steel EN 1.4408 body
- Reduced bore
- Threaded female BSP cylindrical

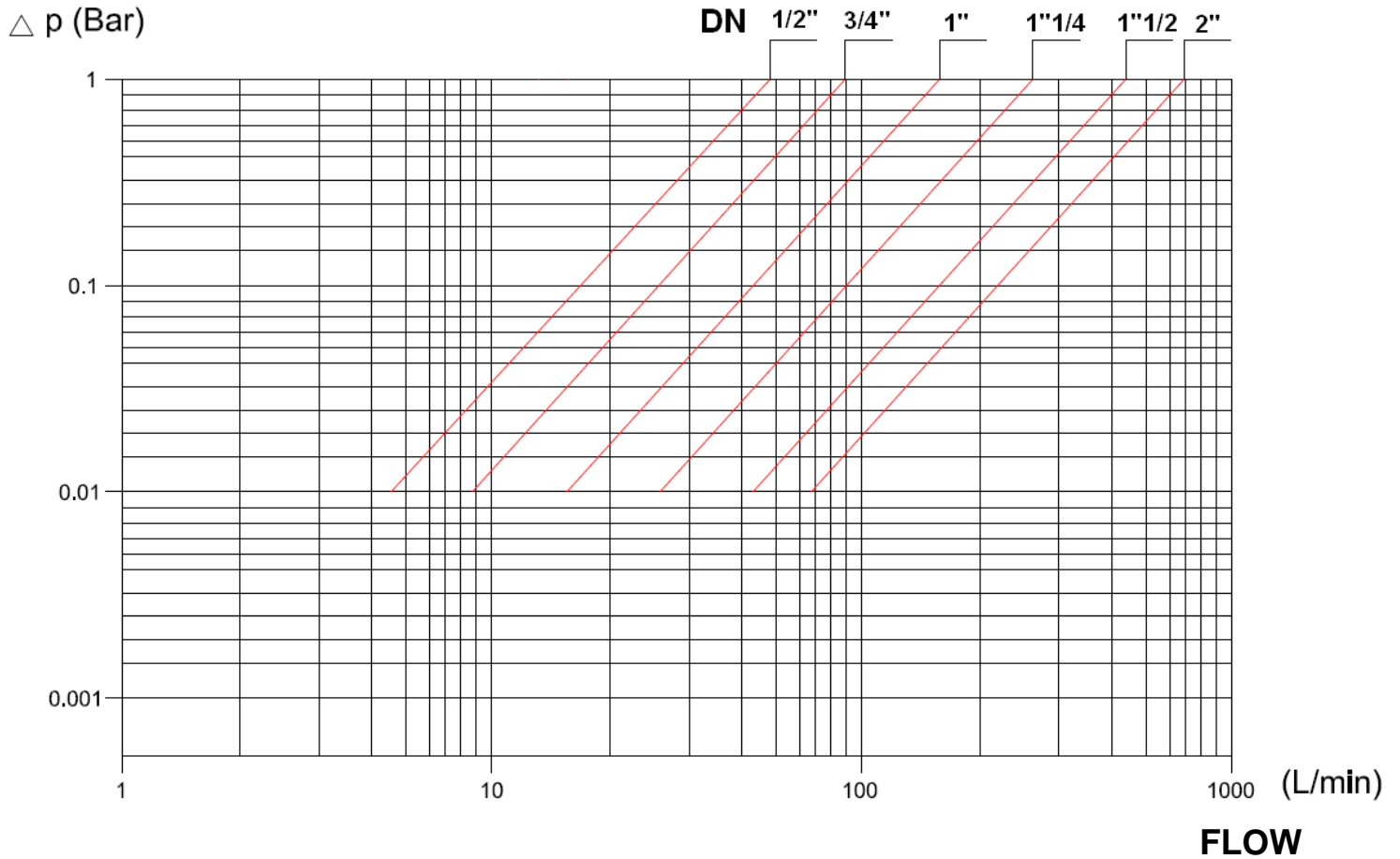
USE :

- For common fluids of 2nd group
- Min and max Temperature Ts : - 20°C to + 180°C
- Max Pressure Ps : 16 bars (see graph)
- **Do not use for steam**

PRESSURE / TEMPERATURE GRAPH (STEAM EXCLUDED) :**PRESSURE****BAR**

STAINLESS STEEL GLOBE VALVE THREADED FEMALE BSP PN16

HEAD LOSS GRAPH :



FLOW COEFFICIENT Kvs (M3 / h) :

DN	1/2"	3/4"	1"	1"1/4"	1"1/2"	2"
Kvs (m3/h)	1.88	3.06	5.67	9.05	15.18	24.94

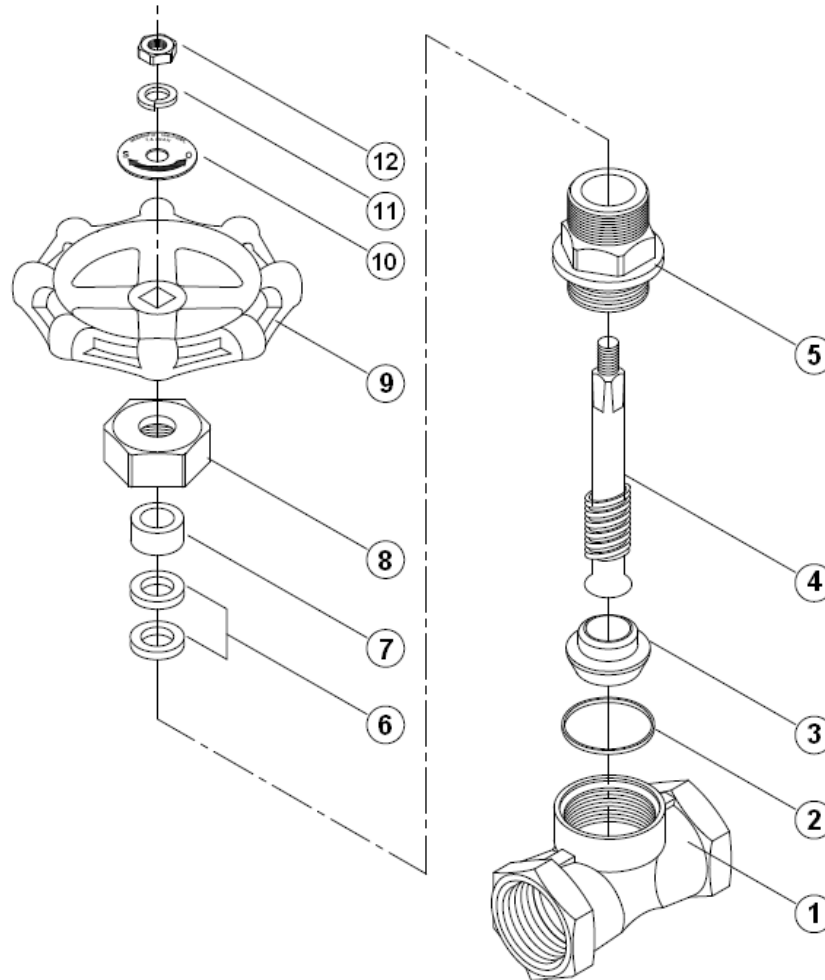
NUMBER OF TURNS FOR CLOSING OR OPENING :

DN	1/2"	3/4"	1"	1"1/4"	1"1/2"	2"
Nb of turns	4.8	4.3	7	8.7	8.2	11

RANGE :

- Globe valve female threaded cylindrical BSP from DN1/2" to DN 2" Ref. 485

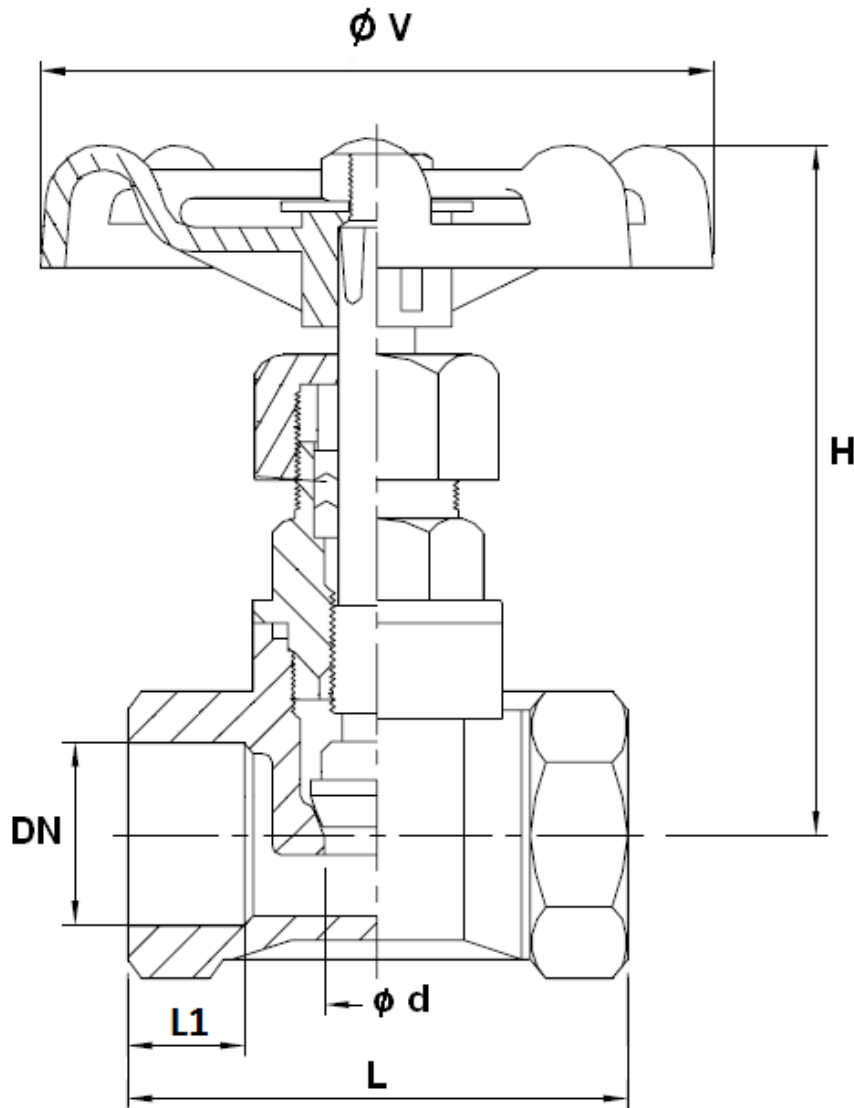
STAINLESS STEEL GLOBE VALVE THREADED FEMALE BSP PN16

MATERIALS :

Item	Designation	Materials
1	Body	EN 1.4408
2	Body seal	PTFE
3	Disc	AISI 316
4	Stem	
5	Bonnet	EN 1.4408
6	Packing	PTFE
7	Packing gland	AISI 304
8	Packing nut	EN 1.4408
9	Handwheel	Steel
10	Name plate	AISI 304
11	Washer	AISI 316
12	Nut	AISI 304

STAINLESS STEEL GLOBE VALVE THREADED FEMALE BSP PN16

SIZE (in mm) :



DN	1/2"	3/4"	1"	1"1/4	1"1/2	2"
ϕd	12	15	20	25	32	40
L	52	60	72	81	90	101
L1	12.5	13	17.5	19	20	20
H (opened)	79	94	101	119	142	159
H (closed)	73	85	91	103	124	139
ϕV	70	70	80	80	90	100
Weight (Kg)	0.26	0.44	0.60	0.96	1.22	1.74
Ref.	485004	485005	485006	485007	485008	485009

STAINLESS STEEL GLOBE VALVE THREADED FEMALE BSP PN16

STANDARDS :

- Manufacturer certified ISO 9001 : 2015
- DIRECTIVE 2014/68/EU : Risk category I module A
- Certificate 3.1 on request
- Pressure tests according to EN 12266-1, D Rate
- Threaded BSP female cylindrical according to ISO 228-1
- Valve in accordance with the regulation **(EC) N° 1935-2004 on request**
- FDA PTFE gaskets